

FUSE SWITCH DISCONNECTOR 160A

The Intercosmo Fuse Switch Disconnecter is designed to used with the fuse size of NH00 which offering protection for line without blades ups to a maximum of 160A. This fuse switch disconnecter are versatile and can accommodate a wide range of cable sizes (16mm² to 95mm²).

TYPE TEST & COMPLIANCE

Intercosmo Fuse Switch Disconnecter 160A fully compliance with the following standards:

- a) IEC 60947-1 : General Rules
- b) IEC 60947-3 : Switches, Disconnectors, Switch Disconnecter & Fuse-Combination Units
- c) IEC 60269 : Low Voltages Fuses
- d) IEC 60068-2-5 : UV-Resistant Test
- e) IEC 60068-2-30: Heat Aging Test

Additional test undertaken is:

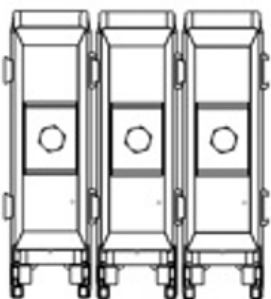
- Drop Test/ Impact Test

TECHNICAL DATA

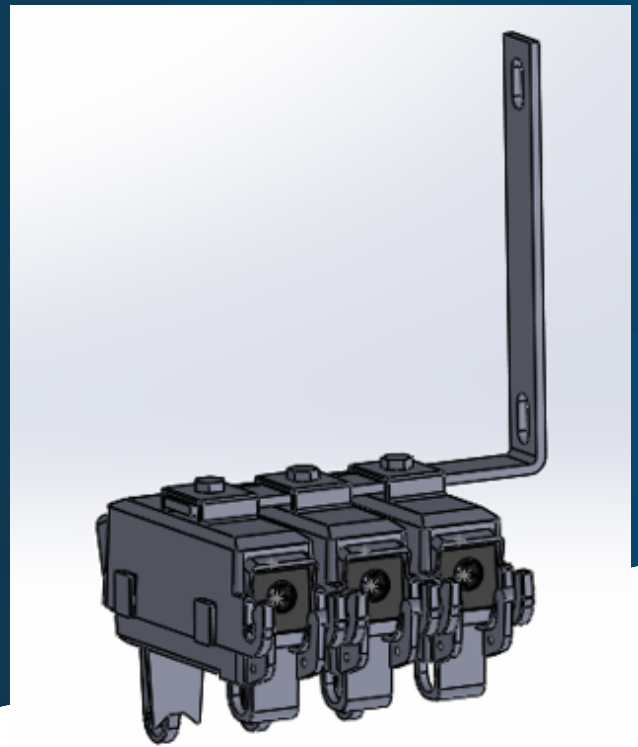
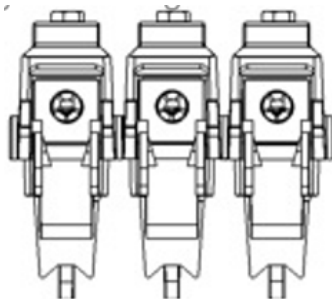
In accordance with test and requirement to IEC60947-1 and IEC60947-3

Fuse Switch Ratings	Fuse Switch 160
Rated Operational Voltage	415 V
Rated Insulation Voltage	1000 V
Rated Operational current, with fuse	160 A
Rated breaking current of 0.65 pf	480 A
Rated Short time withstand current 1sec	5kA
Rated Impulse withstand current	15kv
Rated Short Making Capacity	1.2kA
Mass With fuse, (1pole)	0.575kg
Installation category	AC 22B
Degree of Protection	IP23

Top View



Side View



DESIGN

The lower housing is hinged onto upper housing for easy opening and closing and act as a fuse holder. The lower housing hold the conductors, terminals and contact. The triple poles versions is supplied with a mounting bracket.

FEATURES

- a) Extremely compact
- b) One or three-pole units
- c) Suits standard hook-stick
- d) Terminal Covers for maximum safety
- e) Electrical and mechanical fuse indicators are provided to show status of blown fuse

CABLE TERMINAL

The Intercosmo Fuse Switch Disconnecter is available for terminal of fuse switch disconnecter 160A Insulation Piercing Connection (IPC) terminal for stripped copper and aluminium compacted cables ranging from 16mm² to 95mm².