

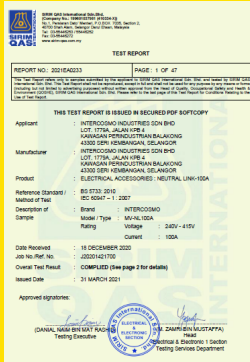
# MV-NL 100A NEUTRAL LINK

## ABOUT

The MV-NL 100A model of Neutral Link is used as multiple neutral-earth system. It is designed as a protection device for low voltage lines.

Its suitable for indoor use in the Tropical Zone, with high humidity of approximately 100%, heavy rainfall, ambient temperature of 28°C to 45°C and an average isokeraunic level of approximately 200 thunder-days per annum and at a preferred operational altitude of up to 2,500m.

### This product is certified by SIRIM



**BS 5733 :**  
General Requirement for  
Electrical Accessories



**BS 1872 :**  
Electroplated Coating of Tin

**IEC 60947-1 :**  
Low Voltage Switchgear &  
Control Gear



This Neutral Link are versatile and can accommodate wide range of cable range from the size of 6mm<sup>2</sup> to 35mm<sup>2</sup> stranded aluminium.

The accessories is design for continuous operation on a three (3) phase, 4 wires, 400 volts and 50 Hz.

## DESIGN

This model is constructed in accordance with IEC60947-1 requirement are as following:

### Housing (Cover & Base)



### Terminal Block Connector



The housing shall be made from weather, UV and age resistant, fire retardant insulating material.

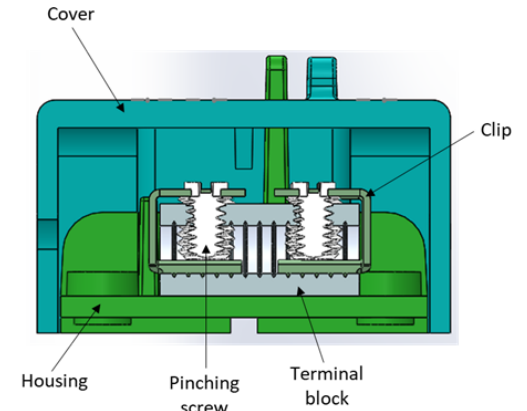
The terminal block is designed with a hole of internal diameter of 9mm with two (2) pinching screws / studs of 8mm diameter per hole.

## FEATURES

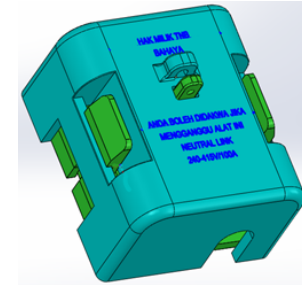
- Fire retardant
- Fully insulated
- Extremely compact

The base of the mould is provided with two (2) screws for mounting it to wall

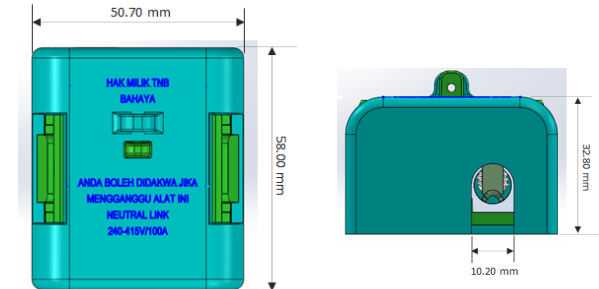
## PART DETAILS



### Marking



### Physical Specification



The housing having a hole/slot at the top to accommodate PVC/ABC Aluminium conductor and another hole/slot at the bottom for Copper conductor.

**Manufacturer**  
**INTERCOSMO INDUSTRIES SDN. BHD.**

Tel : +603-8961 4033  
Fax : +603-8961 7618  
Email : info@intercosmo.net